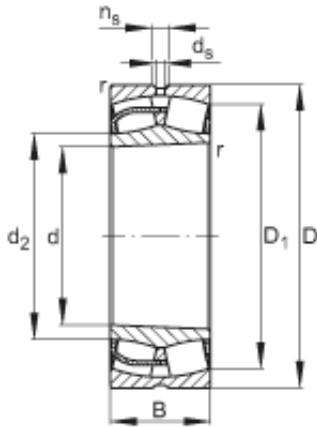




BEARING OF AMERICA CORP.



200 mm x 340 mm x 140 mm FAG 24140-E1-K30 Spherical Roller Bearings

Bearing No. 24140-E1-K30

24140-E1-K30 Bearing 2D drawings and 3D CAD models

Size	200x340x140 mm
Bore Diameter	200 mm
Outer Diameter	340 mm
Width	140 mm
d	200 mm
D	340 mm
B	140 mm
D ₁	287,9 mm
D _{a max}	326 mm
d ₂	227,1 mm
d _{a min}	214 mm
d _s	6,3 mm
n _s	12,2 mm
r _{a max}	2,5 mm
r _{min}	3 mm
m	48,5 kg / Weight
C _r	1880000 N / Dynamic load rating (radial)
e	0,39
Y ₁	1,71
Y ₂	2,54
C _{0r}	2800000 N / Static load rating (radial)
Y ₀	1,67



BEARING OF AMERICA CORP.

n_G	1780 1/min / Limiting speed
n_B	850 1/min
C_{ur}	250000 N / Fatigue limit load, radial